



SNAKE 66
H 600 mm
L 660 mm

TECHNICAL
DATA
PAG 182

COLLEZIONE DESIGN/DESIGN COLLECTION

SNAKE

design Franca Lucarelli - Bruna Rapisarda

___ Aripista di uno stile ben preciso, icona del design Scirocco H, Snake è il termoarredo scaldasalviette dalla forma inconfondibile che unisce forma, materia, funzione e tecnologia. Realizzato in acciaio è formato da un tubo a sezione rettangolare di importante dimensione che si avvolge dando vita a tre diverse configurazioni stilistiche.

___ A pioneer of a precise style, icon of the Scirocco H design, Snake is the heated towel rail with an unmistakable shape that combines form, material, function and technology. Made of steel, it is made up of a rectangular section tube with an important dimension that winds up, giving life to three different stylistic configurations.

SNAKE 50
H 710 mm
L 500 mm

TECHNICAL
DATA
PAG 182



DESIGN COLLECTION





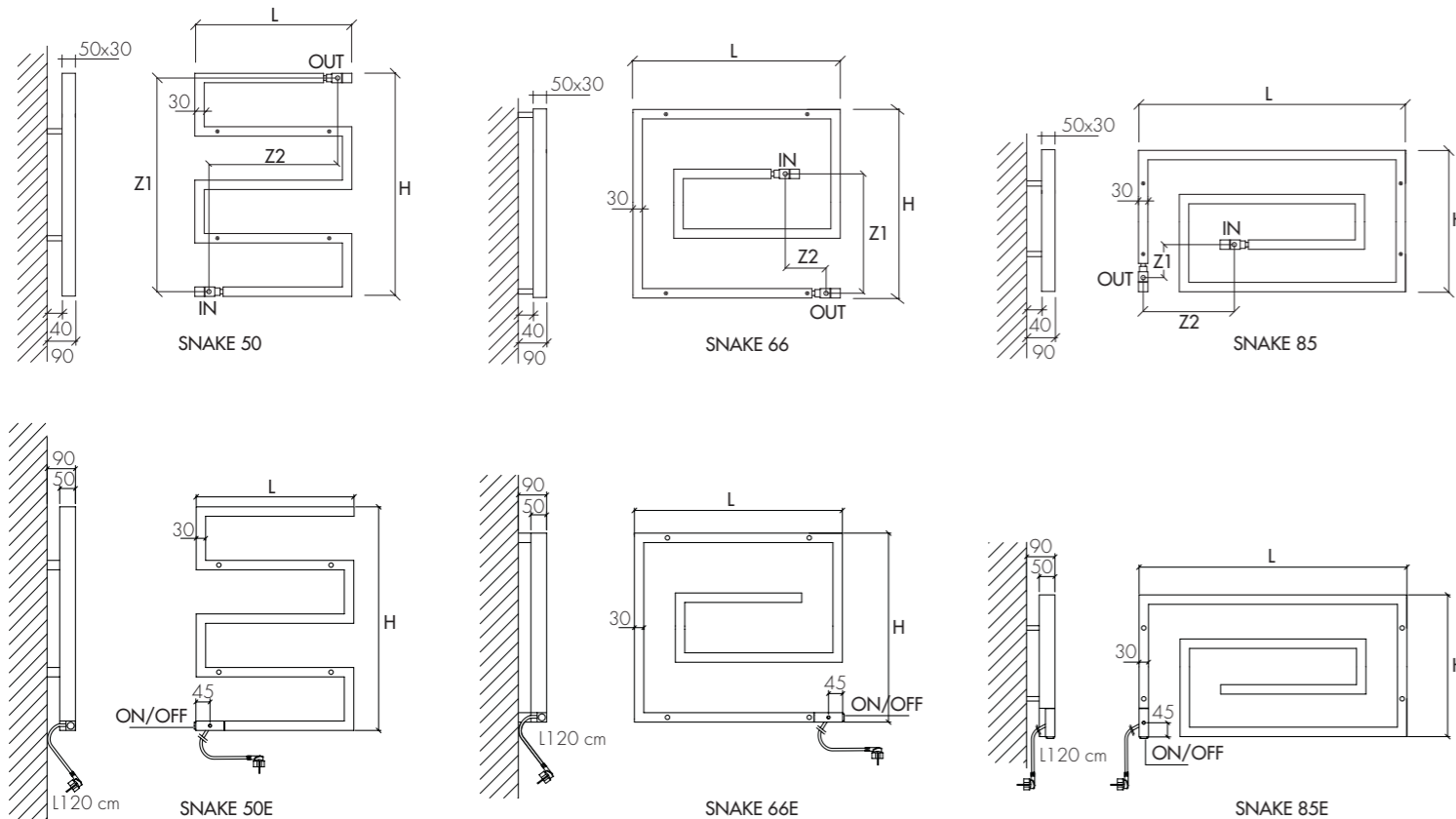
SNAKE 66
H 600 mm
L 660 mm
TECHNICAL
DATA
PAG 182





IT	UK	FR	ES	DE
<ul style="list-style-type: none"> - Acciaio - Acciaio inox 	<ul style="list-style-type: none"> - Steel - Stainless steel 	<ul style="list-style-type: none"> - Acier - Acier inox 	<ul style="list-style-type: none"> - Acero - Acero inoxidable 	<ul style="list-style-type: none"> - Stahl - Inox-Stahl
<ul style="list-style-type: none"> - Staffe a parete - Valvola di sfogo - Kit copritubo - Valvola e detentore mod. Quadro pg 259 - Raccordi 	<ul style="list-style-type: none"> - Wall brackets - Exhaust valve - Tube cover kit - Valve/holder Quadro, pg 273 - Connection 	<ul style="list-style-type: none"> - Supports muraux - Soupape de décompression - Kit cache-tube - Vanne et raccord réglable Quadro, pg 287 - Raccords 	<ul style="list-style-type: none"> - Soportes de pared - Purgador - Kit de cobertura tubo - Valvula/llave de cierre Quadro, pg 301 - Adaptadores 	<ul style="list-style-type: none"> - Wandhalterungen - Entlüftungsventil - Rohrverkleidungssatz - Ventil/drossel Quadro, pg 315 - Anschlüsse
<ul style="list-style-type: none"> - Acciaio: <ul style="list-style-type: none"> • Gamma colori Scirocco H • Ferro grezzo • Cromo - Acciaio inox: <ul style="list-style-type: none"> • Spazzolato 	<ul style="list-style-type: none"> - Steel: <ul style="list-style-type: none"> • Colour chart: Scirocco H • Raw steel • Chrome - Stainless steel: <ul style="list-style-type: none"> • Brushed 	<ul style="list-style-type: none"> - Acier: <ul style="list-style-type: none"> • Gamme couleurs Scirocco H • Fer brut • Chrome - Acier inox: <ul style="list-style-type: none"> • Brossé 	<ul style="list-style-type: none"> - Acero: <ul style="list-style-type: none"> • Gama de colores Scirocco H • Hierro en bruto • Cromo - Acero inoxidable: <ul style="list-style-type: none"> • Cepillado 	<ul style="list-style-type: none"> - Stahl: <ul style="list-style-type: none"> • Farbpalette von Scirocco H • Rohsthal • Chrom - Inox-Stahl: <ul style="list-style-type: none"> • Gebürstet
<ul style="list-style-type: none"> - Fornito con cavo L 150 cm e presa Schuko. Dotato di pulsante ON/OFF 	<ul style="list-style-type: none"> - Furnished with cable L 150 cm and Schuko plug. Equipped with ON/OFF button 	<ul style="list-style-type: none"> - Fourni avec câble L 150 cm et prise Schuko. Equipé avec le bouton ON/OFF 	<ul style="list-style-type: none"> - Se suministra con cable L 150 cm y enchufe Schuko. Equipado con el interruptor ON/OFF 	<ul style="list-style-type: none"> - Komplett mit Kabel L 150 cm und Schukostecker. Mit An/Aus-Schalter
<ul style="list-style-type: none"> - Attacchi: 3/8" G - Pressione massima d'esercizio: 5 bar - Ogni articolo viene fornito con dima per interasse valvole e posizione fissaggi a muro - Non disponibile per impianti monotubo 	<ul style="list-style-type: none"> - Connections: 3/8" G - Maximum working pressure: 5 bar - Each item is supplied with a template for the centre distance between the valves and the position for wall fixing - Not available for single tube installation 	<ul style="list-style-type: none"> - Connection: 3/8" G - Pression maximale de service: 5 bar - Chaque article est livré avec un gabarit pour entreaxe de soupapes et position de fixations murales - Non disponible pour installations monotube 	<ul style="list-style-type: none"> - Conexiones: 3/8" G - Presión máxima de trabajo: 5 bar - Todos los artículos se suministran con plantilla para calcular la distancia entre ejes de las válvulas y la posición de los elementos de fijación a la pared. - No disponible para instalaciones monotubo 	<ul style="list-style-type: none"> - Anschlüsse: 3/8" G - Maximaler Betriebsdruck: 5 bar - Jeder Artikel wird mit einer Schablone zur Bestimmung des Ventilabstands und der Wandbefestigungen geliefert - Nicht für Einrohr-Anlagen verfügbar

a KIT INCASSO THERMOSTATICO pg 259	THERMOSTATIC KIT pg 273	KIT THERMOSTATIQUE pg 287	KIT THERMOSTATICOS pg 301	THERMOSTAT SATZ pg 315
----------------------------------------------	----------------------------	------------------------------	------------------------------	---------------------------



RESE TERMICHE - THERMAL OUTPUT UNI EN 442 (ΔT 50 K)										IDRAULICO HYDRAULIC				ELETTRICO ELECTRIC		
										Watt = Kcal/h ÷ 0,860 Kcal/h = Watt x 0,860						
ART.	DIMENSIONI DIMENSIONS			RESA OUT.	RESA CROMO OUT. CHROME	CAP. CAPAC.	PESO WEIG.	RESA EL. RESIST.	Watt	COLORE COLOUR	FERRO GREZZO RAW IRON	CROMO CHROMO	INOX SPAZZ. BRUSHED ST. STEEL	COLORE COLOUR	FERRO GREZZO RAW IRON	CROMO CHROME
	L	H	Z1	Z2	W	W	Lt	Kg	Watt	€	€	€	€	€	€	€
SNAKE 50	500	710	680	410	285	230	5,2	6,6	130							
SNAKE 66	660	600	380	130	290	235	5,4	7,1	120							
SNAKE 85	850	450	290	290	305	245	6,2	8,2	132							

SPECIFICARE MATERIALE E DIAMETRO DEL TUBO DI COLLEGAMENTO. STANDARD RAME Ø 12. PLEASE SPECIFY IN THE ORDER MATERIAL AND DIAMETER OF THE CONNECTION PIPE. STANDARD COPPER PIPE Ø 12. SPÉCIFIER DANS LA COMMANDE MATÉRIEL ET DIAMÈTRE DU TUBE DE RACCORDEMENT. STANDARD CUIVRE Ø12. ESPECIFICAR EN LA ORDEN MATERIAL Y DIÁMETRO DEL TUBO DE CONEXIÓN. STANDARD COBRE Ø12. BEI DER BESTELLUNG ANZUGEBEN MATERIAL UND DURCHMESSER DES VERBINDUNGSROHRS. STANDARD KUPFERROHRE Ø12.